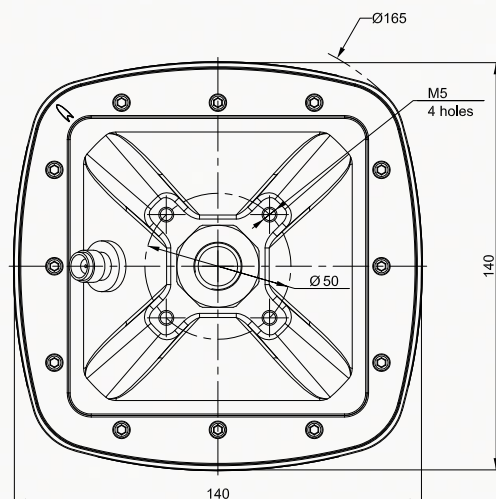
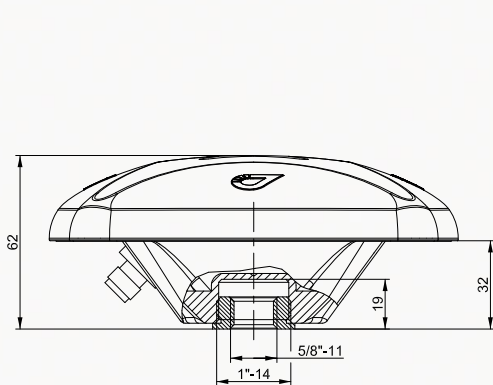


GrAnt

GrAnt is a versatile high performance antenna. It can be mounted on flat surfaces with four screws or mounted on standard poles (5/8-11 or 1-14 inches thread). The antenna cable can be connected via the standard TNC (N-type optional) connector on its side or routed through the center of the antenna for ultimate protection in harsh environments.

GrAnt can track GPS, GLONASS and GALILEO signals.

	G3	G3T
Signal		
Capability	L1 GPS L1 GLONASS E1 Galileo	L1 GPS/GLONASS/Galileo L2 GPS/GLONASS L5 GPS E5 Galileo
Frequency	1565~1610 MHz	1565~1610 MHz 1165~1253 MHz
Electrical		
Antenna Gain	1565~1610 MHz - 5.0 dB typ.	1565~1610 MHz - 5.0 dB typ. 1165~1253 MHz - 4.0 dB typ.
Axial Ratio	3.0 dB max.	
Output Impedance	50 Ohm	
LNA gain	32±2 dB	
Noise Figure	1565~1610 MHz - 1.7 dB typ.	1565~1610 MHz - 1.7 dB typ. 1165~1253 MHz - 1.7 dB typ.
DC voltage	3.0~15.0VDC 25mA@5.0V typ.	3.0~15.0VDC 45mA@5.0V typ.
Environmental		
Operating Temperature	-45°C ~ +85°C	
Storage Temperature	-50°C ~ +85°C	
Humidity	Waterproof	
Mechanical		
Antenna type	Microstrip	
Connector	TNC	
Weight	450 g	515 g
Dimensions	140 mm x 140 mm x 62 mm	
Enclosure	Radome: ABS Base: Aluminum	
Color	Green	
Mounting	5/8-11 or 1-14 inches mount, or 4 holes M5	



Specifications are subject to change without notice.



JAVAD GNSS
www.javad.com

