

RingAnt-G3T

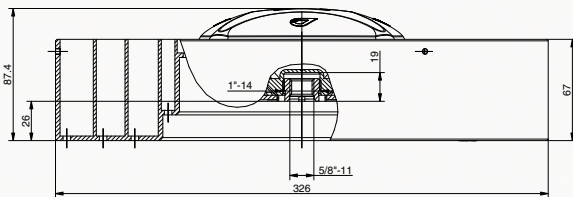
RingAnt-G3T is our GrAnt antenna mounted on our own choke ring. This makes our GrAnt antenna field upgradeable to choke ring type.

The antenna cable can be connected via the standard TNC connector on its side or routed through the center of the antenna for ultimate protection in harsh environments.

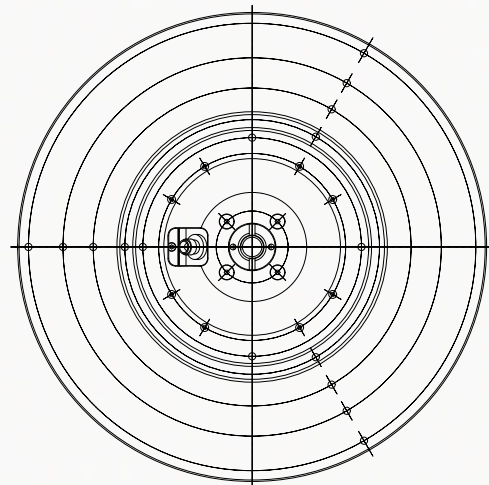
RingAnt can track GPS, GLONASS and Galileo signals.

RINGANT-G3T

Signal	
Capability	L1 GPS/GLONASS/Galileo L2 GPS/GLONASS L5 GPS E5 Galileo
Frequency	1565~1610 MHz 1165~1253 MHz
Electrical	
Antenna Gain	1565~1610 MHz - 6.0 dB typ. 1165~1253 MHz - 5.0 dB typ.
Axial Ratio	3.0 dB max.
Output Impedance	50 Ohm
LNA gain	32±2 dB
Noise Figure	1565~1610 MHz - 1.7 dB typ. 1165~1253 MHz - 1.7 dB typ.
DC voltage	3.0~15.0VDC 45mA@5.0V typ.
Environmental	
Operating Temperature	-45°C ~ +85°C
Storage Temperature	-50°C ~ +85°C
Humidity	Waterproof
Mechanical	
Antenna type	Microstrip
Connector	TNC
Weight	2.7 kg
Dimensions	Ø326 mm; h=88 mm
Enclosure	Radome: ABS Base: Aluminum
Mounting	Thread 5/8" -11"



* All dimensions are in mm



Specifications are subject to change without notice.



JAVAD GNSS
www.javad.com

