



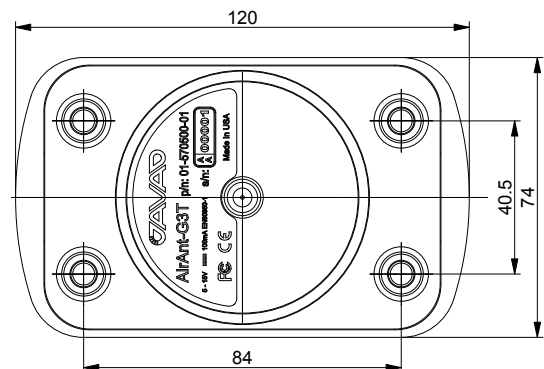
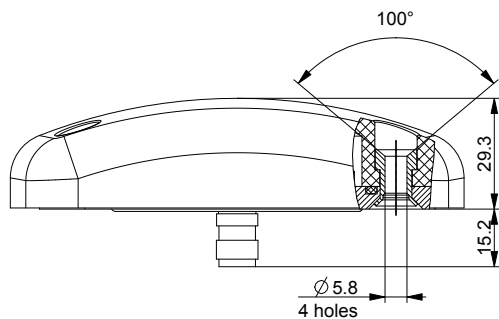
AIRANT

The AirAnt antenna is designed to be mounted on aircrafts* and applications where low profile and aerodynamic shape are desired. The sophisticated interference signal rejection and capability to track GPS, GLONASS, GALILEO, BEIDOU, WAAS, EGNOS, MSAS, GAGAN and QZSS signals make this antenna useful for wide range of applications.

AirAnt's lightweight yet rugged design combined with low power consumption make it an ideal antenna for almost any environment.

* AirAnt is not FAA (U.S. Federal Aviation Administration) certified yet and cannot be used in commercial aircrafts or any application where FAA certification is required.

| Signal | |
|-----------------------|---|
| Capability | GPS L1/L2/L5 GLONASS L1/L2/L3 GALILEO E1/E2/E5abBEIDOU B1/B2 WAAS L1/L5, EGNOS, MSAS, GAGAN QZSS L1/L2/L5 |
| Frequency | 1559~1610MHz 1164~1253 MHz |
| Electrical | |
| Antenna Gain | 1559~1610MHz – 4.0 dB typ. 1164~1253 MHz – 3.0 dB typ. |
| Axial Ratio | 3.0 dB max. |
| Output Impedance | 50 Ohm |
| VSWR | 2.0 : 1 |
| LNA gain | 30±3 dB |
| Noise Figure | 1559~1610MHz – 2.5 dB max 1164~1253 MHz – 2.0 dB max |
| DC voltage | 4.7~12.0VDC 85mA@5.0V typ. |
| Environmental | |
| Operating Temperature | -50°C ~ +85°C |
| Storage Temperature | -60°C ~ +85°C |
| Humidity | Waterproof |
| Mechanical | |
| Antenna type | Microstrip |
| Connector | TNC |
| Weight | 320 g |
| Dimensions | 120 mm x 74 mm x 44 mm |
| Enclosure | Radome: GE PEI+40%GF Base: Aluminum |
| Color | White |
| Mounting | 4 holes |



* All dimensions are in mm

Specifications are subject to change without notice



JAVAD GNSS
www.javad.com
 Rev.2.2 October 8, 2014

